

# Connector with Cable for Electric Vehicle Fast Charger

## CCS Type 2 Connector

# Fast Charging Connector

**MAX 200A**



### Features

- Small diameter and light weight cable
- Robust and elastic housing against load
- By boost mode, max current up to 200A
- Compliant to IEC 62196-3
- Certified with CE and UKCA



### Specifications

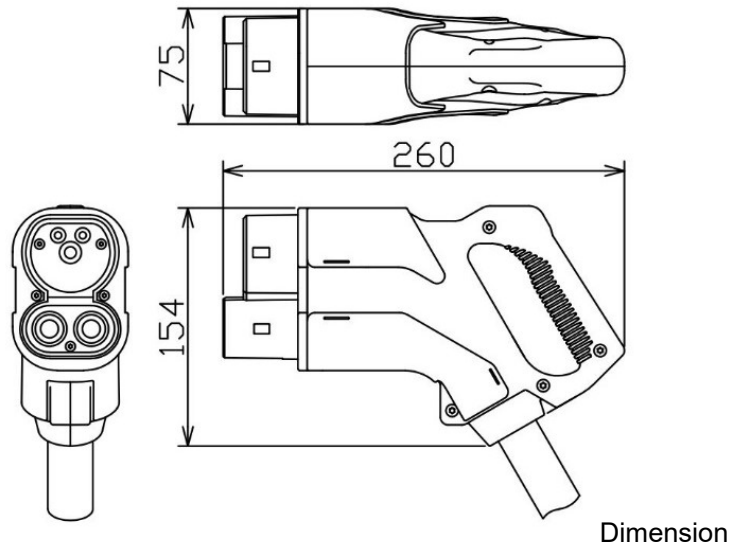
Model number	E55169-35-1K	E55169-10-1K
Rated current[A]	125*1	60
Max current[A]	200	60
Rated voltage[V]	DC 1000	
Insulation resistance[Ω]	100M or more	
Withstand voltage [V]	AC 3000 / 1min	
Insertion force[N]	Less than 100	
Ambient temperature[°C]	-30~+50	
Drop impact	No abnormality after free falling from 1m to concrete	
Protection degree	Unmated: IP24 / Mated: IP55	
Endurance	Terminal temperature rise is 90°C or less, after 10,000*2 matings and unmating cycles	

\*1. It is available to raise rated current up to 135A.

\*2. The test had been experienced for over 50,000 matings and unmating cycles under the same condition to the above noted.

## Construction

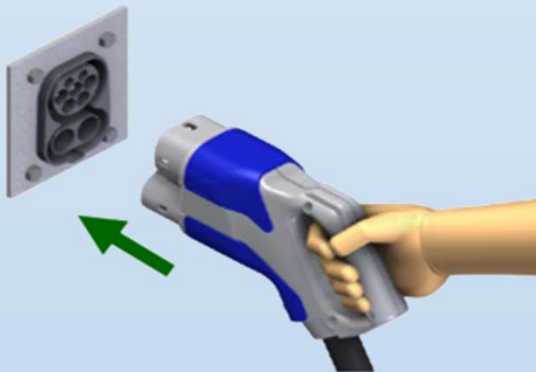
Cable	Max current [A]	200	60
	Rated voltage [V]	DC 1500	
	Outer diameter [mm]	28.5	21.6
	Minimum Bending radius [mm]	171	130
	Weight [app.kg/m]	1.4	0.7
Connector	Dimension [mm]	L 260 × H 154 × W 75	
	Weight [kg]	app.1.1 (without cable)	
	Housing	Plastic	



## How to Operate

### - Connecting to vehicle inlet

1. Hold the grip firmly.

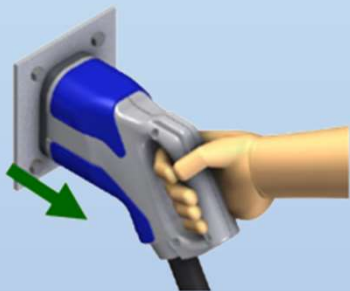


2. Insert the connector straight into the inlet by the vehicle side horizontally.



### - Disconnecting from vehicle inlet

1. Hold the grip firmly.



2. Pull the connector straight from the inlet by the vehicle side horizontally.

